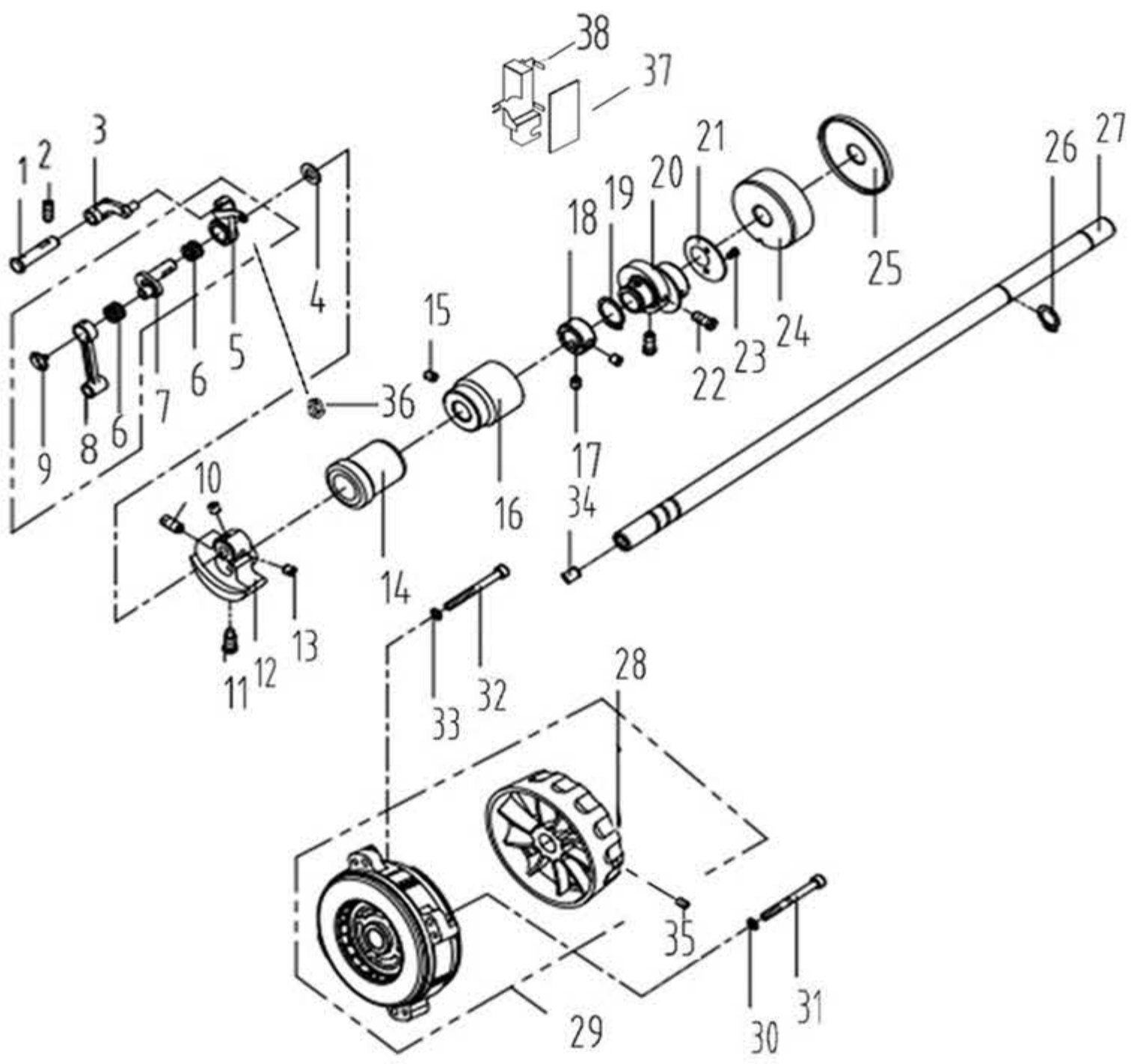


1. 机壳、外装分组件/Machine Frame & Miscellaneous Cover Components

序号 NO	公司件号	Part NO	名称	PartName	零件描述	Description	数量	Number
1	101S11001		螺钉SM3/16"×28 L=9		Screw SM3/16"×28 L=9			3
2	10122003		面板调节孔螺塞		Rubber plug			2
3	110201010		面板		Face plate			1
4	13813005		左线钩		Thread guide left			1
5	101S11007		螺钉SM11/64"×40 L=6		Screw SM11/64"×40 L=6			1
6	110222006		面板垫		Face plate gasket			1
7	11023000900		LED灯开关组件		LED asm			1
8	101S11001		螺钉SM3/16"×28 L=9		Screw SM3/16"×28 L=9			1
9	10122013		针杆上衬套孔塞		Rubber plug			1
10	10122004		针杆曲柄螺孔塞		Rubber plug			1
11	10122005		挑线连杆销螺孔塞		Rubber plug			1
12	101S11004		螺钉SM3/16"×28 L=7		Screw SM3/16"×28 L=7			1
13	13812018		挑线杆防护罩		Thread take-up lever cover			1
14	101S11004		螺钉SM3/16"×28 L=7		Screw SM3/16"×28 L=7			1
15	13512004		三孔线勾		3-hole thread guide			1
16	10122005		挑线连杆销螺孔塞		Rubber plug			1
17	11419001		割线刀		Knife			1
18	114S11015		螺钉SM9/64"×40 L=6		Screw SM9/64"×40 L=6			2
19	20722002		油塞		Rubber plug			1
20	110222005		后窗板垫		Side plate gasket			1
21	110212007		后窗板		Side plate			1
22	101S11001		螺钉SM3/16"×28 L=9		Screw SM3/16"×28 L=9			11
23	11023301900		一体机控制器		Electronic control box			1
24	114S13001		螺钉M5 L=20		Screw M5 L=20			1
25	114S30001		螺栓M5 L=25		Screw M5 L=25			3
26	W01009		垫圈5		Wsher 5			4
27	10122006		送料调节器孔塞		Rubber plug			1
28	10122007		下轴工艺孔塞		Rubber plug			1
29	101S12001		底板支柱		Machine head stud			4
30	138S08006		螺钉SM3/16"×28 L=7		Screw SM3/16"×28 L=7			1
31	13812066		过线板		Thread tension guide plate			1
32	13810008		小夹线器螺柱		Thread tension post			1
33	11212004		小夹线板		Thread tension disk			2
34	11227001		小夹线弹簧		Thread tension spring			1
35	138S16019		小夹线器螺母		Thread tension nut			1
36	1381300400		小夹线器组件		Thread tension asm.			1
37	10126030		松线钉		Tension release pin			1
38	10122014		挑线簧调节座O型圈		Rubber ring			1
39	101S15005		螺钉SM9/64"×40 L=5.5		Screw SM9/64"×40 L=5.5			1
40	10103011		挑线簧调节座		Thread tension base			1
41	10127021		挑线簧		Thread take-up spring			1
	10127022		挑线簧 (厚料)		Thread take-up spring (H)			1
42	10112005		夹线板		Thread tension disk			2
43	10112006		松线板		Disk stopper			1
44	101s30002		夹线螺钉		Thread tension post			1
45	10127002		夹线弹簧		Thread tension spring			1
	11427050		夹线弹簧 (厚料)		Thread tension spring (H)			1
46	10112007		夹线制动板		Thread disk rotating stopper			1
47	138S16013		夹线螺母		Thread tension nut			1
48	1381300500		夹线器组件		Thread tension asm			1
	1381300700		夹线器组件 (厚料)		Thread tension asm (H)			1
49	10122110		橡皮塞 (单孔)		Rubber plug (one-hole)			1
50	101S11007		螺钉SM11/64"×40 L=6		Screw SM11/64"×40 L=6			1
51	10113004		右线钩		Thread guide right			1
52	101S15010		螺钉SM15/64"×28 L=10.5		Screw SM15/64"×28 L=10.5			1
53	401S16001		螺母SM9/64"×40		Nut SM9/64"×40			1
54	11413011		固定式缓线钩		Thread guide			1
55	101S11002		螺钉SM11/64"×40 L=5.5		Screw SM11/64"×40 L=5.5			1
56	13812111		卷边器座		Ruler stop seat			1
57	101S17002		螺钉SM11/64"×40 L=6.5		Screw SM11/64"×40 L=6.5			2
58	11414006		针板		Needle plate			1
	11315001		针板 (厚料)		Needle plate (H)			1
59	10115002		推板		Slide plate			1
60	10127009		推板簧		Slide plate spring			1
61	101S11019		螺钉SM3/32"×56 L=2		Screw SM3/32"×56 L=2			2

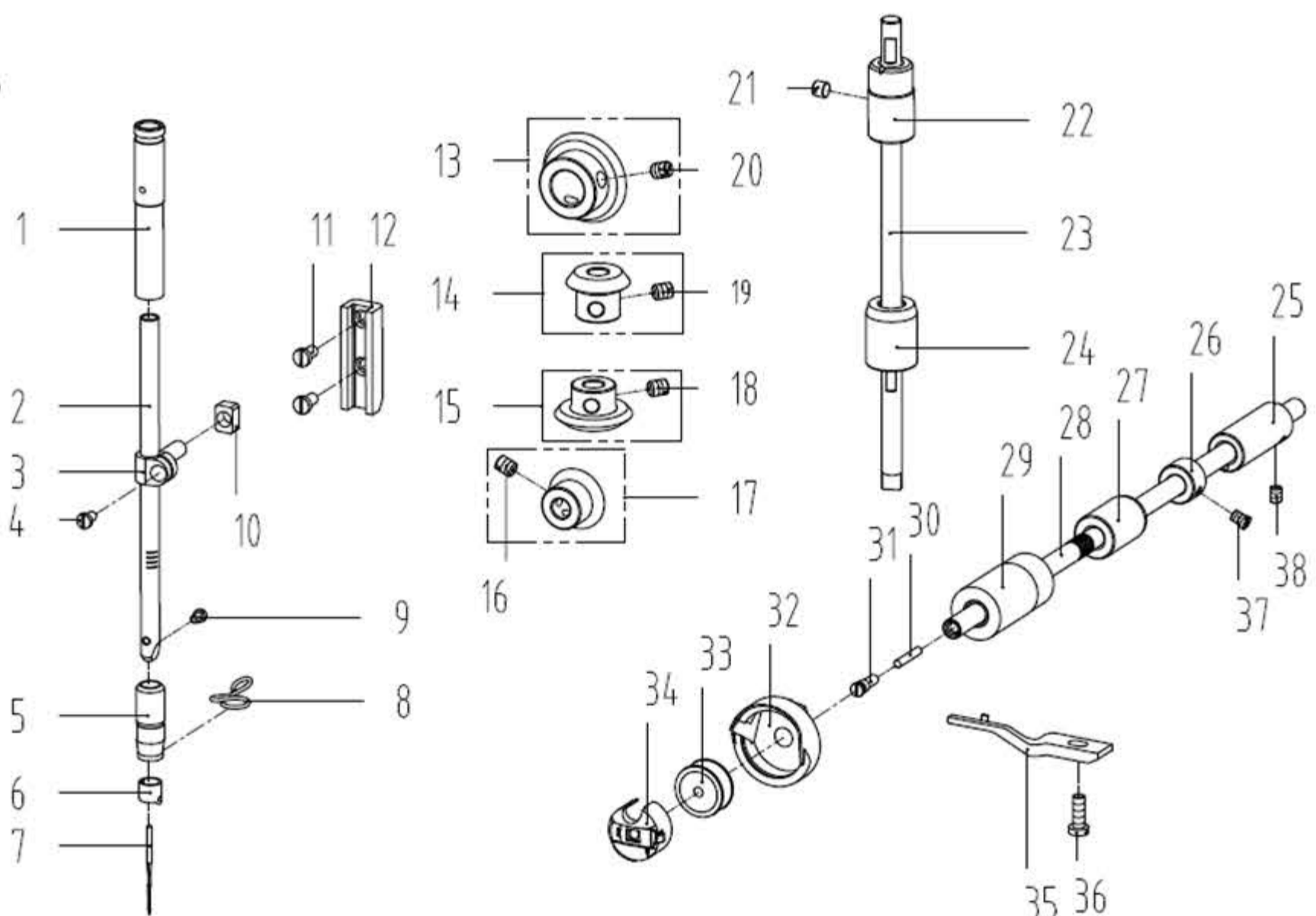
2



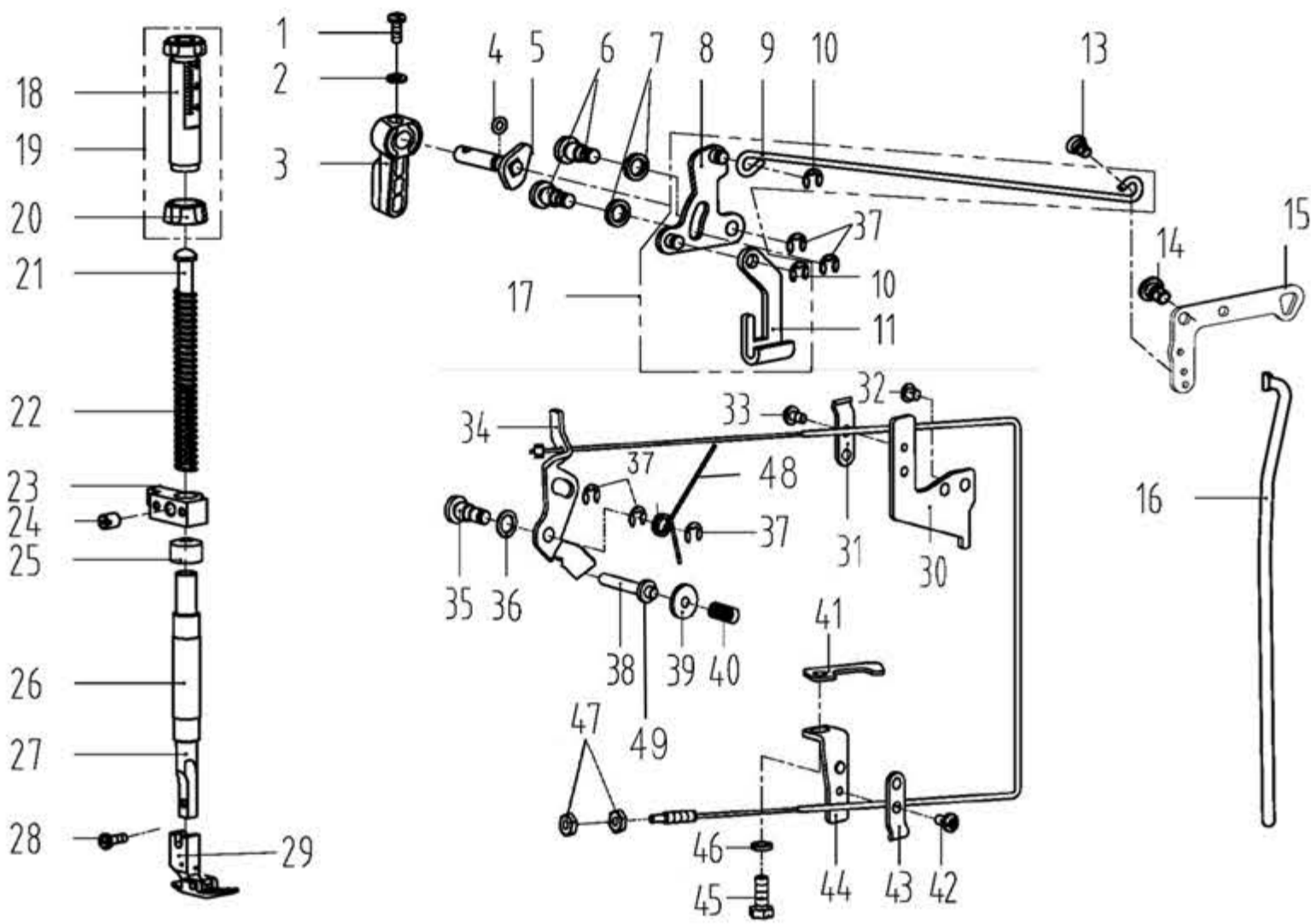
2. 上轴挑线分组件/Main Shaft & Thread Take-up Components

序号 NO	公司件号 Part NO	名称 PartName	零件描述 Description	数量 Number
1	10126001	挑线连杆销	Thread take-up connecting rod pin	1
2	101S15001	螺钉SM15/64"x28 L=15	Screw SM15/64"x28 L=15	1
3	10105001	挑线连杆	Thread take-up connecting rod (H)	1
4	10112003	针杆曲柄护板	Needle bar crank protecting plate	1
5	1013800100	挑线杆分组件	Thread take-up lever asm	1
	1133800200	挑线杆分组件 (厚料)	Thread take-up lever asm (H)	1
6	10124001	挑线杆滚针轴承	Needle bearing	2
	11310012	挑线曲柄分部件	Thread take-up crank	1
7	11310010	挑线曲柄分部件 (H-M)	Thread take-up crank (H-M)	1
	1011000400	挑线曲柄分部件 (厚料)	Thread take-up crank (H)	1
8	10105002	针杆连杆	Needle bar connecting rod	1
9	101S17001	螺钉SM9/64x40 (左旋) L=4.8	Screw SM9/64x40 (left hand) L=4.8	1
10	101S15004	螺钉 SM9/32"x28 L=16	Screw SM9/32"x28 L=16	1
11	101S11003	螺钉SM9/32"x28 L=16	Screw SM9/32"x28 L=16	1
12	113804014	针杆曲柄	Needle bar crank	1
	115404010	针杆曲柄 (厚料)	Needle bar crank (H)	1
13	101S15002	螺钉SM1/4"x40 L=6	Screw SM1/4"x40 L=6	2
14	11380302600	上轴前轴套组件	Main shaft bushing front	1
15	101S15010	螺钉SM15/64"x28 L=8	Screw SM15/64"x28 L=8	1
16	10403023	主轴中轴套	Main shaft bushing mid	1
17	101S14001	螺钉SM1/4"x40 L=6	Screw SM 1/4"x40 L=6	2
18	10108001	上轴挡圈	Main shaft thrust collar	1
19	H03002	挡圈20	Snap ring 20	1
	11310014	送料偏心轮	Feed eccentric cam	1
20	400006	送料偏心轮 (H-M)	Feed eccentric cam (H-M)	1
	400006	送料偏心轮 (厚料)	Feed eccentric cam (H)	1
21	10112017	送料偏心轮盖板	Cover plate	1
22	101S11013	螺钉SM1/4"x40 L=13	Screw SM1/4"x40 L=13	2
23	101S11005	螺钉SM9/64"x40 L=6	Screw SM9/64"x40 L=6	2
24	12803014	上轴后轴套	The rear axle sleeve	1
25	10122008	上轴后套挡油油封	Oil seal	1
26	H03001	挡圈15	Snap ring 15	1
27	10102026	上轴	Main shaft	1
28	303560	手轮	Handwheel	1
29	110233016	平缝一体机电机	Motor	1
30	W03002	弹垫5	Spring washer 5	3
31	114S13001	螺钉M5 L=20	Screw M5 L=20	3
32	S05218	螺钉M5 L=22	Screw M5 L=22	1
33	W03002	弹垫5	Spring washer 5	1
34	10122012	上轴孔塞	Rubber plug	1
35	S09007	螺钉M6 L=8	Screw M6 L=8	2
36	14422008	挑线杆断油橡胶	Thread take-up lever rubber	1
37	14123001	防油罩油棉	Oil cotton	1
38	14112004	防油罩	Oil shield	1

3



4

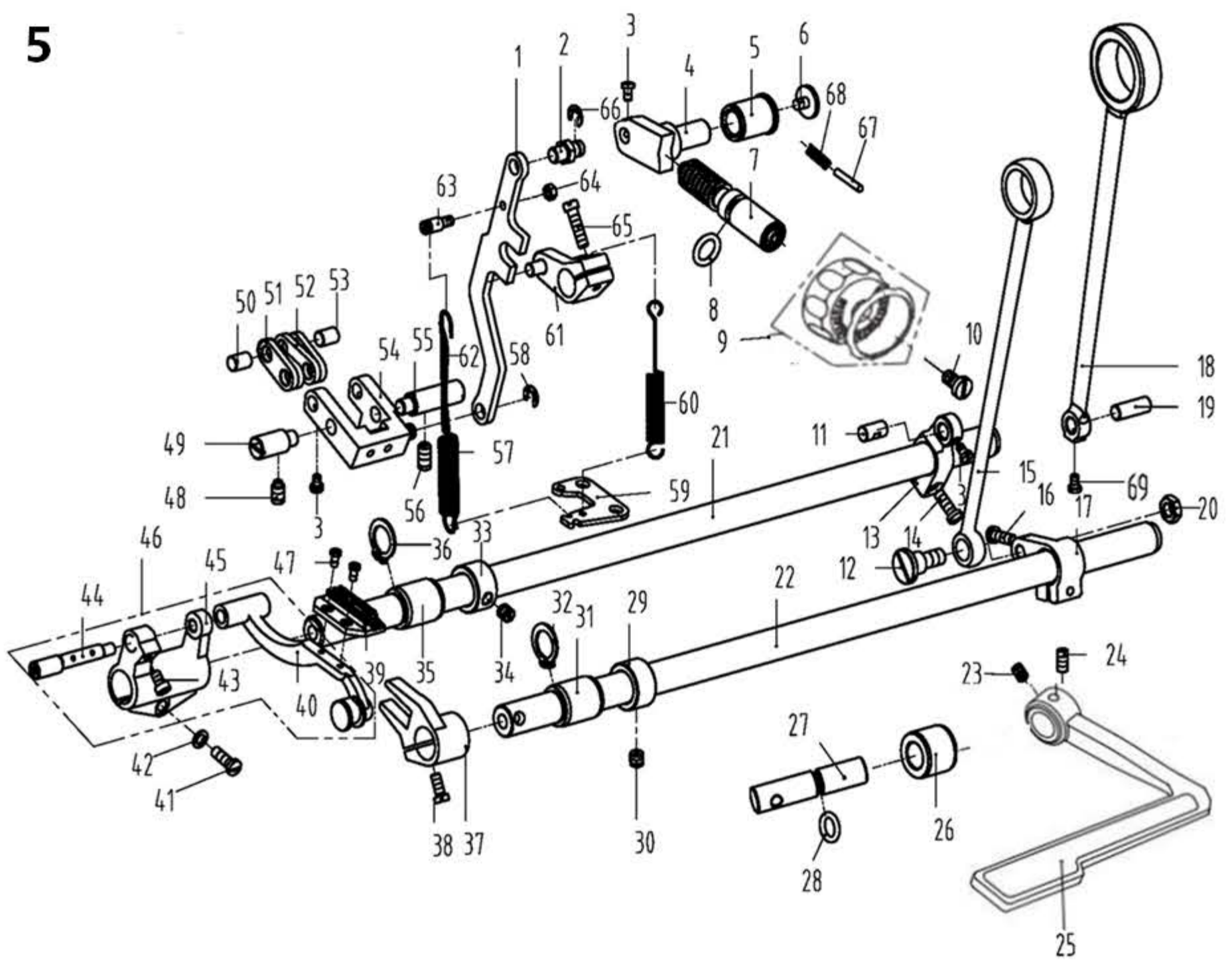


4. 压料、自动抬压脚分组件/Presser Bar & Auto Lifter Components

序号 NO	公司件号	Part NO	名称	PartName	零件描述	Description	数量	Number
1	101S11010		螺钉SM9/64"x40 L=11		Screw SM9/64"x40 L=11		1	
2	10128002		压脚扳手螺钉垫圈		Washer		1	
3	13811029		压脚扳手		Hand lifter		1	
4	O01004		O型圈		Rubber ring		1	
5	1011000200		压脚扳手凸轮分部件		Hand lifter cam asm		1	
6	101S20001		前杠杆螺纹销		Screw		2	
7	10128015		螺纹销橡胶垫圈		Washer		2	
8	1011200100		抬压脚前杠杆分部件		Lift front lever component		1	
9	10112013		抬压脚拉杆		Knee lifter pull rod		1	
10	H05003		挡圈5		Snap ring 5		2	
11	10112010		压脚升降板		Lifting plate		1	
13	101S20004		抬压脚拉杆螺钉SM3/16"x32		Hinge Screw SM3/16"x32		1	
14	101S20003		后杠杆轴位螺钉SM15/64"x28		Hinge screw SM15/64"x28		1	
15	10112014		抬压脚后杠杆		Knee lifter back lever		1	
16	10112015		抬压脚顶杆		Knee lifter connecting rod		1	
17	1011200200		抬压脚前杠杆组件		Knee lifter lever asm		1	
18	113811018		调压螺钉		Press regulating screw		1	
	1138NS30003		调压螺钉 (厚料)		Press regulating screw (H)		1	
19	11381101800		调压螺钉组件		Presser regulating screw nut asm		1	
20	13811028		调压螺母		Press regulating nut		1	
	1138NS16005		调压螺母 (厚料)		Press regulating nut (H)		1	
21	10102003		调压导杆		Press regulating guide bar		1	
22	113827010		调压簧		Press regulating spring		1	
	10127024		调压簧 (厚料)		Press regulating spring (H)		1	
23	13809030		压杆导架		Presser bar guide bracket		1	
24	101S15007		螺钉SM1/4"x40 L=8		Screw SM1/4"x40 L=8		1	
25	10122112		压杆防油套		Pressure bar oil cover		1	
26	10103012		压杆衬套		Presser bar bushing		1	
27	10102004		压杆		Presser bar		1	
28	101S11009		螺钉SM9/64"x40 L=10.5		Screw SM9/64"x40 L=10.5		1	
29	1131600600		压脚组件		Presser foot asm		1	
	1131600300		压脚组件 (厚料)		Presser foot asm(H)		1	
30	11212009		松线导管上支架		Wire release bracket upper		1	
31	11212008		松线导管压板		Wire release press plate		1	
32	101S11004		螺钉SM3/16"x28 L=7		Screw SM3/16"x28 L=7		1	
33	113S11004		螺钉M4 L=8		Screw M4 L=8		1	
34	1141206000		松线顶板组件		Wire release plate asm		1	
35	101S20002		松线顶板螺纹销		Wire release plate pin		1	
36	10128015		螺纹销橡胶垫圈		Washer		1	
37	11329020		挡圈5		Snap ring 5		5	
38	10126003		松线辅钉		Thread release supporting pin		1	
39	10128001		松线辅钉垫片		washer		1	
40	10127003		松线辅钉弹簧		Spring		1	
41	10112022		旋梭供油管压板		Tube press plate		1	
42	113S11004		螺钉M4 L=8		Screw M4 L=8		1	
43	11212008		松线导管压板		Wire presser		1	
44	11312001		松线导管下支架		Wire release bracket lower		1	
45	116S30003		螺钉SM15/64"x28 L=14.5		Screw SM15/64"x28 L=14.5		1	
46	W02004		弹性垫圈		Spring washer		1	
47	113S12001		螺母 M5		Nut M5		2	
48	11427009		松线顶板复位簧		Reset spring		1	
49	H05012		松线辅钉挡圈		Snap ring		1	

3. 针杆、竖轴、下轴部件/Needle bar & Upright Shaft & Hook Driving Shaft Components

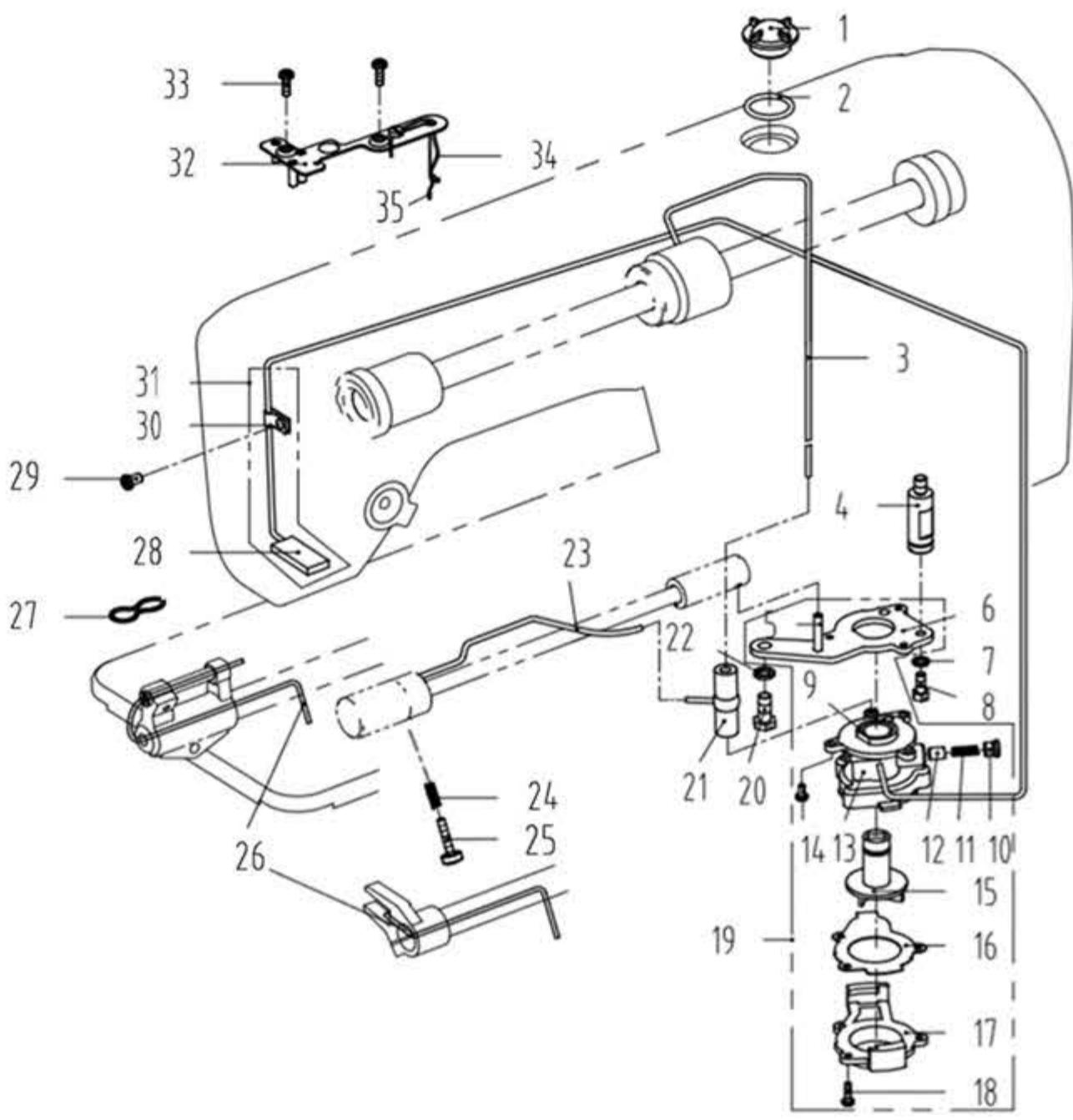
序号 NO	公司件号	Part NO	名称	PartName	零件描述	Description	数量	Number
1	10103009		针杆上衬套		Needle bar bushing upper		1	
2	10102002		针杆		Needle bar		1	
	10102021		针杆 (厚料)		Needle bar (H)		1	
3	10138002		针杆连接柱		Needle bar connecting rod		1	
4	101S11005		螺钉SM9/64"x40 L=6		Screw SM9/64"x40 L=6		1	
5	110103002		针杆下衬套		Needle bar bushing lower		1	
	110103003		针杆下衬套 (厚料)		Needle bar bushing lower (H)		1	
6	10113002		针杆线勾		Needle bar thread guide		1	
	11412063		针杆线勾 (厚料)		Needle bar thread guide (H)		1	
7	10117001		机针DBx1#14		Needle DBx1#14		1	
	10117002		机针DPx5#21 (厚料)		Needle DPx5#21 (H)		1	
8	10413001		针杆下衬套线勾		Lower bushing thread guide		1	
	10113009		针杆下轴套线勾 (厚料)		Lower bushing thread guide (H)		1	
9	101S11006		螺钉SM1/8"x44 L=4.5		Screw SM1/8"x44 L=4.5		1	
10	10109001		针杆连接柱滑块		Slide block		1	
11	101S11008		螺钉SM11/64"x40 L=8		Screw SM11/64"x40 L=8		2	
12	10109002		针杆接头滑块导轨		Needle bar guide		1	
13	10425004		上轴伞齿轮		Upper shaft bevel gear		1	
14	10425003		竖轴上伞齿轮		Upper small bevel gear asm		1	
15	10425002		竖轴下伞齿轮		lower large bevel gear asm		1	
16	101S15007		螺钉SM1/4"x40 L=7		Screw SM1/4"x40 L=7		2	
17	10425001		下轴伞齿轮		Hook drive shaft bevel gear		1	
18	101S15007		螺钉SM1/4"x40 L=7		Screw SM1/4"x40 L=7		2	
19	101S15007		螺钉SM1/4"x40 L=7		Screw SM1/4"x40 L=7		2	
20	101S15007		螺钉SM1/4"x40 L=7		Screw SM1/4"x40 L=7		2	
21	101S15006		螺钉SM15/64"x28 L=4.7		Screw SM15/64"x28 L=4.7		1	
22	113803012		竖轴上轴套		Upright shaft bushing upper		1	
23	10102007		竖轴		Upright shaft		1	
24	10403013		竖轴下轴套		Upright shaft bushing lower		1	
25	113803014		下轴后轴套		Hook driving shaft bushing back		1	
26	10108002		下轴挡圈		Hook driving shaft snap ring		1	
27	110203002		下轴中套		Lower shaft middle bushing		1	
28	13802303		下轴		Hook driving shaft		1	
29	13803320		下轴前轴套		Hook driving shaft bushing front		1	
30	13823001		下轴限油芯		Oil wick		1	
31	101S30005		下轴限油螺钉		set screw		1	
32	110218001		旋梭		Hook asm		1	
	11418002		旋梭 (厚料)		Hook asm (H)		1	
33	10118003		梭心		Bobbin		1	
34	11218504		梭壳		Bobbin case asm		1	
35	10112016		旋梭定位钩		Finger postioner		1	
	10112032		旋梭定位钩 (厚料)		Finger postioner (H)		1	
36	116S11005		螺钉SM11/64"x40 L=13		Screw SM11/64"x40 L=13		1	
37	101S11012		螺钉SM11/64"x40 L=4.8		Screw SM11/64"x40 L=4.8		2	
38	113S14020		螺钉SM11/64"x40 L=6		Screw SM11/64"x40 L=6		1	
	101S11007		螺钉SM11/64"x40 L=6 (厚料)		Screw SM11/64"x40 L=6 (H)		1	



5. 送料分组件/Feed Mechanism Components

序号 NO	公司件号	Part NO	名称	PartName	零件描述	Description	数量	Number
1	10105007		倒送料连杆		Reverse feed connecting rod		1	
2	11426021		倒送料连杆销		Connecting rod pin		1	
	11326011		倒送料连杆销 (-7)		Connecting rod pin (-7)		1	
3	101S11005		螺钉SM9/64"x40 L=6		Screw SM9/64"x40 L=6		6	
4	10101053		送料调节器		Feed regulator		1	
5	10403017		送料调节器轴套		Feed regulator bushing		1	
6	101S11023		螺钉SM3/16"x28 L=6.5		Screw SM3/16"x28 L=6.5		1	
7	10126045		标盘螺柱		Feed regulator stud		1	
8	10122016		送料调节螺钉O形圈		Rubber ring		1	
9	1011107000		标盘旋钮组件		Knob component		1	
	1011107100		标盘旋钮组件 (-7)		Knob component (-7)		1	
10	101S11022		螺钉SM3/16"x28 L=18		Screw SM3/16"x28 L=18		1	
11	10126011		送料曲柄销		Feed rocker crank pin		1	
12	101S20005		抬牙连杆轴位螺钉 SM9/32"x28		hinge Screw SM9/32"x28		1	
13	10104002		送料曲柄		Feed rocker shaft crank		1	
	11304010		送料曲柄 (-7)		Feed rocker shaft crank (-7)		1	
14	101S11016		螺钉SM3/16"x28 L=14		Screw SM3/16"x28 L=14		1	
15	115405003		抬牙连杆		Connecting rod		1	
16	101S11016		螺钉SM3/16"x28 L=14		Screw SM3/16"x28 L=14		1	
17	10104004		抬牙后曲柄		Feed driving shaft crank		1	
18	115405002		送料连杆		Rocker shaft connecting rod		1	
	400083		送料连杆 (-7)		Rocker shaft connecting rod (-7)		1	
19	10126006		送料连杆销		Connecting rod pin		1	
	11326011		送料连杆销 (-7)		Connecting rod pin (-7)		1	
20	101S16003		螺母 SM9/32"x28		Hinge Screw SM9/32"x28		1	
21	10102008		送料轴		Feed rocker shaft		1	
22	11202001		抬牙轴		Feed driving shaft		1	
23	101S15006		螺钉SM15/64x28 L=7		Screw SM15/64x28 L=7		1	
24	101S15013		螺钉SM15/64"x28 L=10		ScrewSM15/64"x28 L=10		1	
25	10131086		倒缝扳手		Reverse feed lever		1	
26	10103024		倒送料轴轴套		Reverse feed shaft bushing back		1	
27	10102023		倒缝送料轴		Reverse feed shaft		1	
28	10122017		倒送料轴O形圈		Rubber ring		1	
29	10108003		送料轴挡圈		Feed rocker shaft snap ring		1	
30	101S15002		螺钉 SM1/4"x40 L=6		Screw SM1/4"x40 L=6		2	
31	10403015		轴套		Bushing		1	
32	H03001		挡圈15		Snap ring 15		1	
33	10108003		送料轴挡圈		Feed rocker shaft snap ring		1	
34	101S15002		螺钉SM1/4"x40 L=6		Screw SM1/4"x40 L=6		2	
35	10403015		轴套		Bushing		1	
36	H03001		GB/T894.1-1986挡圈15		Snap ring 15		1	
37	10104007		抬牙叉形曲柄		Driving shaft crank		1	
	113804011		抬牙叉形曲柄 (厚料)		Driving shaft crank(H)		1	
38	116S11005		螺钉SM11/64"x40 L=13		Screw SM11/64"x40 L=13		1	
	1138NS30004		螺钉SM11/64"x40 L=13 (厚料)		Screw SM11/64"x40 L=13 (H)		1	
39	11414002		送料牙		Feed dog		1	
	11314001		送料牙 (厚料)		Feed dog (H)		1	
40	470060		牙架		Feed bar asm.		1	
41	101S11016		螺钉SM3/16"x28 L=14		Screw SM3/16"x28 L=14		1	
42	10128003		牙架座螺钉垫圈		Washer		1	
43	101S11025		螺钉SM11/64"x40 L=7		Screw SM11/64"x40 L=7		1	
44	10401007		牙架销		Feed bar pin		1	
45	480095		牙架座		Feed bar bed		1	
46	11380700300		牙架组件 (成品)		Feed bar sam		1	
47	101S11018		螺钉SM1/8"x44 L=6		Screw SM1/8"x44 L=6		2	
48	113S14010		螺钉SM15/64"x28 L=10.5		Screw SM15/64"x28 L=10.5		1	
49	10126009		送料摆动板座右销		Right pin		1	
50	10126007		短摆动板连杆销		Connecting pin		1	
51	10109005		送料短摆动板		Feed short shaking plate		2	
52	10109004		送料长摆动板		Feed long shaking plate		2	
53	10126007		短摆动板连杆销		Connecting pin		1	
54	1010100200		送料摆动板座右销		Component right pin		1	
55	10126010		送料摆动板座右销		Component right pin		1	
56	101S15010		螺钉SM15/64"x28 L=10.5		Screw SM15/64"x28 L=10.5		1	
57	11427011		送料调节弹簧		Spring		1	
58	11329020		开口挡圈5		Snap ring 5		1	
59	13812081		拉簧固定板		Pull spring fixing plate		1	
60	10127011		倒送料拉簧		Reverse feed pull spring		1	
61	1140402700		倒送料曲柄组件		Feed reverse crank asm		1	
	1130402800		倒送料曲柄组件 (-7)		Feed reverse crank asm (-7)		1	
62	11321005		油管		Tube		1	
63	114S30007		螺钉SM11/64x40 L=7.5		Screw SM11/64x40 L=7.5		1	
64	114S16004		螺母SM11/64"x40		Nut SM11/64"x40		1	
65	S01102		螺钉SM3/16"x28 L=18		Screw SM3/16"x28 L=18		1	
66	11329020		挡圈5		Snap ring 5		1	
67	10126015		送料距锁合销		Pin		1	
68	10127010		送料距锁合簧		Spring		1	
69	114S11015		螺钉SM9/64"x40 L=6		Screw SM9/64"x40 L=6		1	

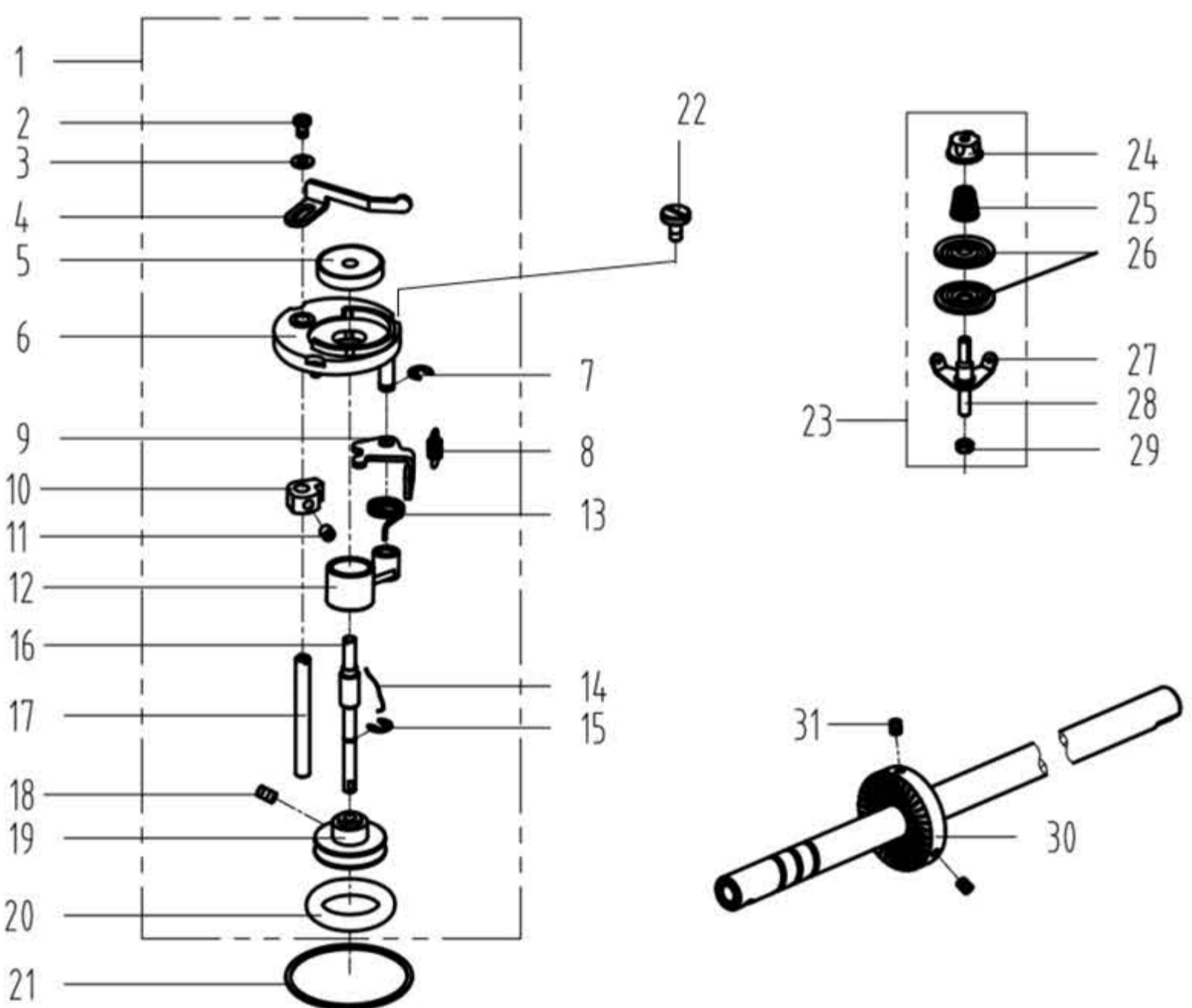
6



6. 润滑、油量检测组件/Oil Lubrication & Oil Measuring Components

序号 NO	公司件号	Part NO	名称	PartName	零件描述	Description	数量	Number
1	10111004		油窗		Oil sight window		1	
2	10122019		油窗O形圈		Rubber ring		1	
3	14121001		上轴供油管		Main shaft oil tube		1	
4	101S30008		油泵连接螺柱		Oil pump connecting stud		1	
5	10121001		下轴供油管		Hook driving shaft oil tube		1	
6	10112020		油泵安装板		Oil pump installing base		1	
7	W03002		弹垫		Spring washer		1	
8	209S12001		螺钉SM11/64"x40 L=10.5		Screw SM11/64"x40 L=10.5		1	
9	10103022		油泵体衬套		Oil pump bushing		1	
10	101S30007		柱塞螺钉M7X0.75 L=5		Plunger Screw M7X0.75 L=5		1	
11	10127013		柱塞簧		Plunger spring		1	
12	10122018		回油柱塞		Plunger		1	
13	10120001		油泵体		Oil pump		1	
14	S04093		螺钉M3 L=6		Screw M3 L=6		3	
15	10111003		油泵叶轮		Oil pump impeller		1	
16	10112021		油泵叶轮托板		Oil pump impeller cover		1	
17	10111007		油泵盖		Lubricating oil pump cover		1	
18	101S30006		螺钉ST2.9 L=10		Screw ST2.9 L=10		3	
19	1012000100		油泵分部件		Lubricating oil pump component		1	
20	101S11026		螺钉SM15/64"x28 L=9		Screw SM15/64"x28 L=9		1	
21	10136001		供油管接头		Rubber joint		1	
22	W02004		弹垫M6		Spring Washer M6		1	
23	13821303		供油管		Hook oil tube		1	
24	13827014		油量调节螺钉弹簧		Spring		1	
25	113S30001		螺钉SM11/64x40 L=19		Screw SM11/64x40 L=19		1	
26	10423005		油线		Oil wick		1	
27	10127015		回油毡夹		Oil felt clamp		1	
28	10123006		回油毡		Oil felt felt		1	
29	101S11004		螺钉SM3/16"x28 L=7		Screw SM3/16"x28 L=7		1	
30	10112053		回油管夹		Oil tube clamp		1	
31	11502100100		回油管部件		Oil return tube component		1	
32	10112025		油线固定板		Oil wick fixing plate		1	
33	101S11010		螺钉SM9/64"x40 L=11		Screw SM9/64"x40 L=11		2	
34	10123010		油线		Oil wick		1	
35	10112053		油线夹		Wick		1	

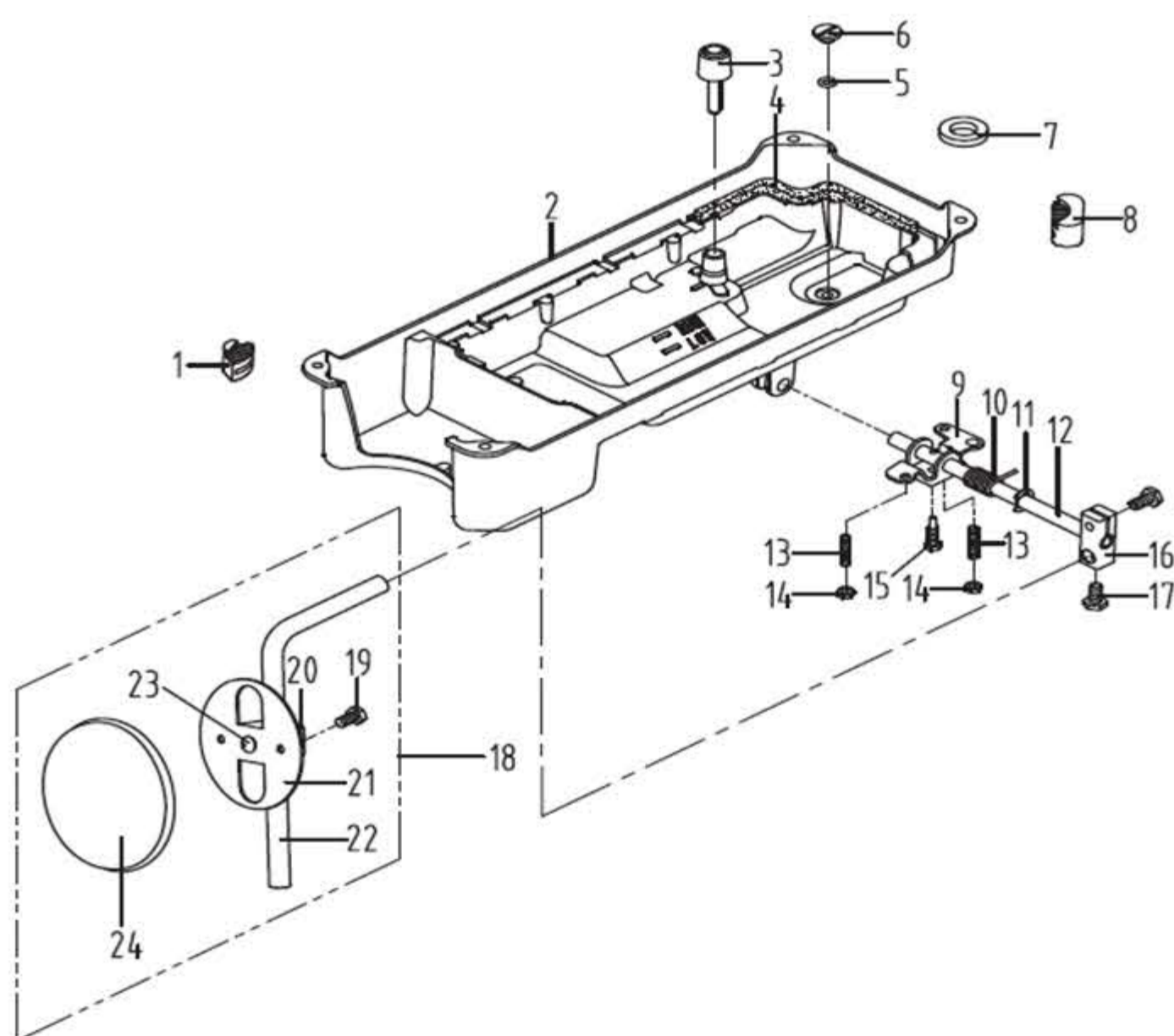
7



7. 绕线器组件/ Bobbin Components

序号 NO	公司件号	Part NO	名称	PartName	零件描述	Description	数量	Number
1	1383103900		绕线器组件		Bobbin winder asm.		1	
2	114S11008		螺钉M4 L=6		Screw M4 L=6		1	
3	W01142		垫圈4		Washer 4		1	
4	10113030		压线控制板		Thread press control plate		1	
5	10111120		绕线衬垫		Winding pad		1	
6	13831101		绕线器装置主座		Bobbin winder bed		1	
7	H05006		开口挡圈5		Snap ring		1	
8	10127061		复位板拉簧		Spring		1	
9	13812110		调节板		Regulating plate		1	
10	10110030		绕线凸轮		Bobbin winder cam		1	
11	S09045		螺钉M5 L=5		Screw M5 L=5		1	
12	1380510600		绕线器连杆组件		Bobbin winder connecting rod		1	
13	13827103		满线复位簧		spring		1	
14	10127060		弹簧		Spring		1	
15	H05909		开口挡圈4		Snap ring 4		1	
16	13802111		绕线器主轴		Bobbin winder main shaft		1	
17	13802026		绕线凸轮轴		Bobbin winder cam shaft		1	
18	S09103		螺钉M4 L=4		Screw M4 L=4		2	
19	13831102		绕线轮		Bobbin winder wheel		1	
20	O01110		O型圈		Ring		1	
21	11422062		密封垫		Washer		1	
22	1102NS11001		螺钉SM3/16"×28 L=10		Screw SM3/16"×28 L=10		3	
23	1381300600		底线夹线器		Bobbin thread tension asm.		1	
24	138s16019		夹线螺母		Thread tension nut		1	
25	11427006		小夹线弹簧		Spring		1	
26	10112005		夹线板		Thread tension disk		2	
27	11413022		夹线过线板		Thread tension guide plate		1	
28	112S13004		夹线螺钉		Screw		1	
29	114S16001		螺母SM11/64"×40		Nut SM11/64"×40		1	
30	11435013		绕线器驱动轮		Driving wheel		1	
31	S10009		螺钉M6 L=8		Screw M6 L=8		2	

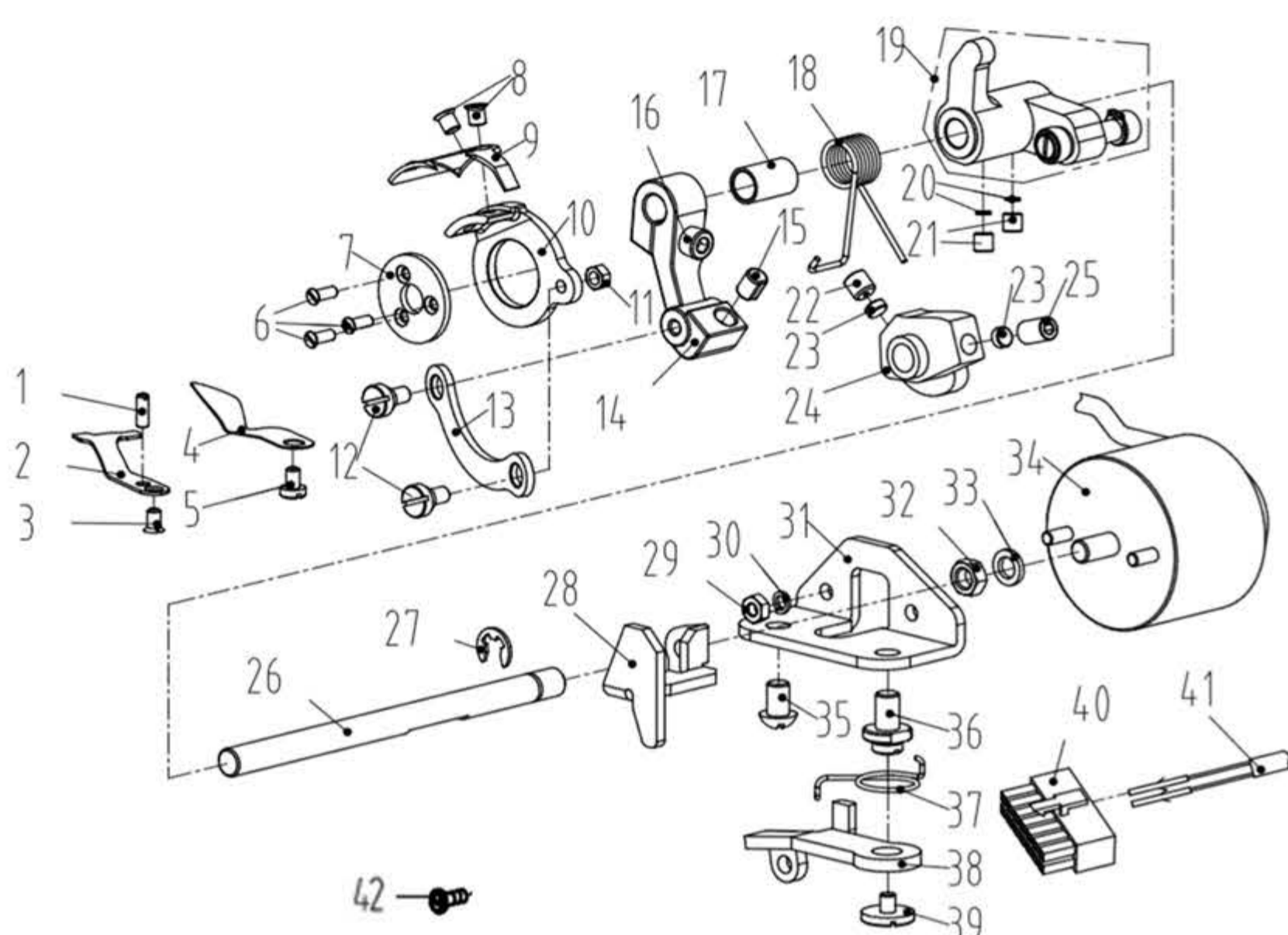
8



8. 油盘、膝抬压脚分组件/Oil Reservoir & Knee Lifter Components

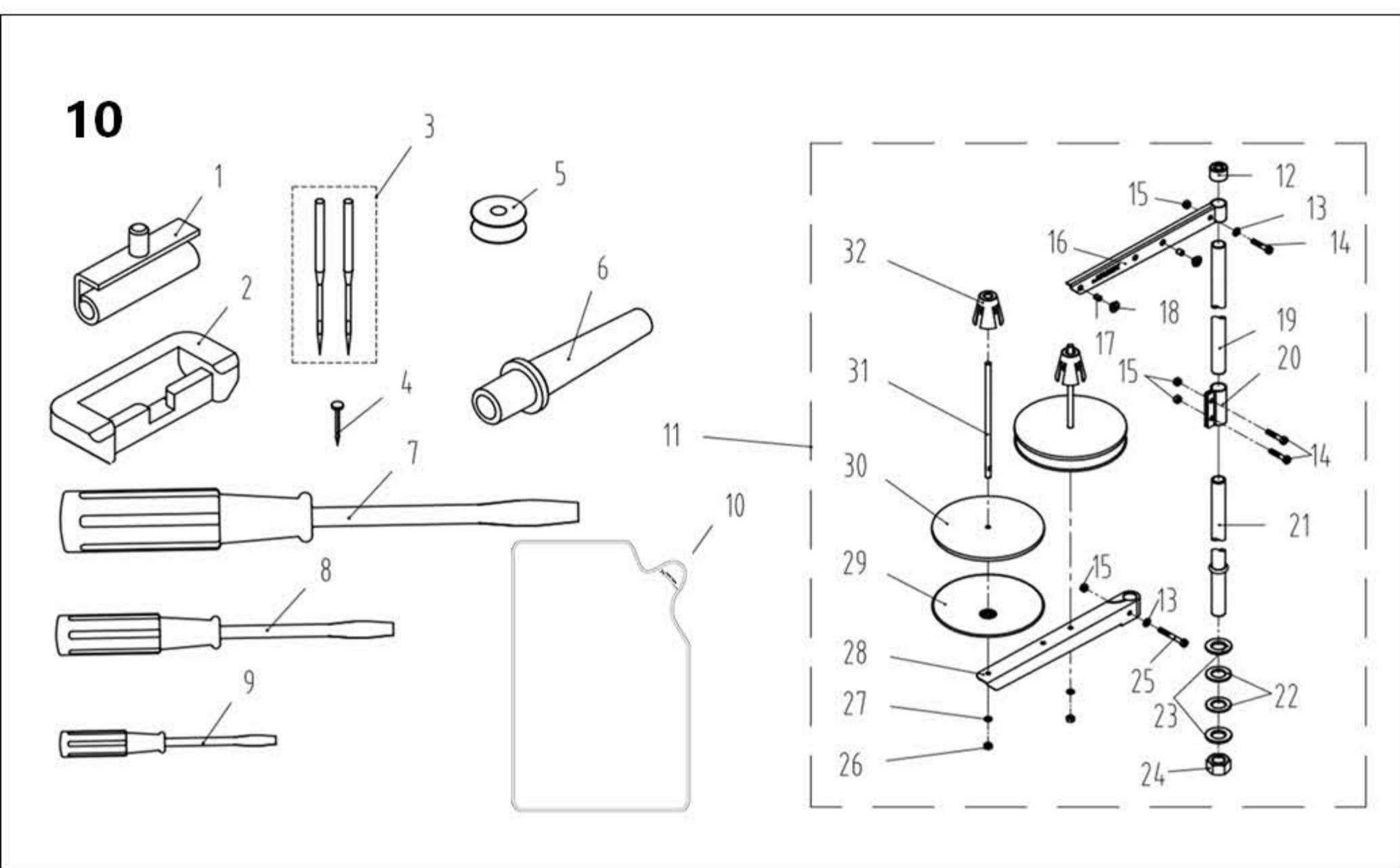
序号 NO	公司件号	Part NO	名称	PartName	零件描述	Description	数量	Number
1	10122022		油盘座垫		Oil reservoir rubber cushion		2	
2	110201011		油盘		Oil Reservoir		1	
3	10111005		抬压脚顶杆		Knee lifter push rod		1	
4	10122020		油盘垫		Oil Reservoir gasket		1	
5	10122021		O型圈		Rubber ring		1	
6	101S11028		螺钉SM5/16"×24 L=7		Screw SM5/16"×24 L=7		1	
7	10131001		油盘磁铁		Oil reservoir magnet		1	
8	10122023		油盘支架		Oil reservoir rubber cushion		2	
9	10112027		抬压脚双向曲柄		Knee lifter crank		1	
10	10127016		双向曲柄扭簧		Knee lifter spring		1	
11	H05010		挡圈10		Snap ring 10		1	
12	10102011		抬压脚轴		Knee lifter shaft		1	
13	101S15012		螺钉M6 L=30		Screw M6 L=30		2	
14	101S16004		螺母 M6 L=4		Nut M6 L=4		2	
15	101S12002		螺钉M6 L=26		Screw M6 L=26		1	
16	10101008		抬压脚操纵杆杆头		Bearing bracket		1	
17	101S12003		螺钉M8 L=16		Screw M8 L=16		2	
18	1011202800		操纵杆组件		Knee press plate asm		1	
19	101S12004		螺钉M6 L=11		Screw M6 L=11		1	
20	10112030		操纵杆杆头		Knee press plate holder		1	
21	10112029		操纵板		Knee press plate		1	
22	10112028		操纵杆		Knee lifter plate rod		1	
23	10122025		操纵杆垫		Rubber		1	
24	10122024		操纵板软垫		Knee press plate cover		1	

9



9. 切线装置部件/Thread Trimmer Components

序号 NO	公司件号 Part NO	名称 PartName	零件描述 Description	数量 Number
1	113S15002	螺钉SM1/8"x44 L=9.5	Screw SM1/8"x44 L=9.5	1
2	115019001	定刀	Secant knife	1
3	113S17001	螺钉SM9/64"x40 L=6	Screw SM9/64"x40 L=6	1
4	11312003	护针片	Needle guard patch	1
5	201S11009	螺钉SM9/64"x40 L=5.5	Screw SM9/64"x40 L=5.5	1
6	138S17301	螺钉M3 L=8	Screw M3 L=8	3
7	13812303	刀架压板	Knife bracket press	1
8	113S17002	螺钉SM11/64"x40 L=4.4	Screw SM11/64"x40 L=4.4	2
9	11319002	活动刀	Motorial knife	1
	11319003	活动刀(厚料)	Motorial knife (H)	1
10	13807303	刀架	Knife bracket	1
11	114S16004	螺母SM11/64"x40	Nut SM11/64"x40	1
12	113S20001	连杆螺钉SM11/64"x40	hinge Screw SM11/64"x40	2
13	13812302	连杆	Connecting rod	1
14	13804301	切线曲柄	Thread Crank	1
15	11322001	驱动曲柄止动块	Crank driver stopper block	1
16	S05004	螺钉M5 L=14	Screw M5 L=14	1
17	113803003	切线曲柄定位套	Tangent crank locating sleeve	1
18	13827304	扭簧	Spring	1
19	1380432400	剪线驱动组件	Crank asm	1
20	13628003	垫片	Washer	2
21	101S14001	螺钉SM1/4"x40 L=6	Screw SM1/4"x40 L=6	2
22	101S14001	螺钉SM1/4"x40 L=6	Screw SM1/4"x40 L=6	1
23	113809009	凸轮顶柱	Push rod	2
24	13810306	凸轮	Cam	1
25	116S14005	螺钉SM1/4"x40 L=10	Screw SM1/4"x40 L=10	1
26	13802320	切线驱动轴	Tangent drive shaft	1
27	H05013	挡圈6	Snap ring 6	1
28	13812370	推板	Push plate	1
29	N01005	螺母M4	Nut M4	2
30	W02018	弹簧垫圈4	Washer 4	2
31	11312006	切线磁铁支架	Solenoid bracket	1
32	112S16006	螺母SM1/4"x40	Nut SM1/4"x40	1
33	113822005	垫圈	Washer	1
34	1383003300	剪线电磁铁组件	Thread trimmer solenoid asm.	1
35	101S11026	螺钉SM15/64"x28 L=9	Screw SM15/64"x28 L=9	1
36	138S30301	松线座螺钉	Screw	1
37	13827303	松线扭簧	Loose wire torsion spring	1
38	13812304	松线板	Thread release bed	1
39	138S01302	螺钉M4 L=5	Screw M4 L=5	1
40	11230004	14孔接线器	Plug	1
41	11230005	电线插针	Pin	1
42	101S11002	螺钉SM11/64"x40 L=5.5	Screw SM11/64"x40 L=5.5	1



10. 机头附件/Machine Head Accessories

序号 NO	公司件号 Part NO	名称 PartName	零件描述 Description	数量 Number
1	1011203100	机头连接钩部件	Hinge component	2
2	10122060	机头连接钩座	Head connecting rubber cushion	2
3	10117012	机针DB×1#14	NeedleDB×1#14	10
	10117002	机针DP×5#21 (厚料)	NeedleDP×5#21 (H)	4
4	101S30010	机头连接钩座钉 (P19)	Nail (P19)	6
5	10118003	梭心	Bobbin	3
6	115011003	机头支柱	Machine head rest pin	1
7	20731047	螺丝刀 (大)	Screw driver (large)	1
8	10131003	螺丝刀 (中)	Screw driver (medium)	1
9	10131004	螺丝刀 (小)	Screw driver (small)	1
10	1381101200	油壶组件	Oiler component	1
11	11023100400	线架组件	Thread stand asm	1
12	20131019	线架杆顶防护橡皮	Spool rest rod rubber cap	1
13	W01047	垫圈M5	Washer M5	2
14	S04050	螺栓M5 L=16	Screw M5 L=16	3
15	N01034	螺母M5	Nut M5	4
16	13831022	上线架过线杆	Spool rest arm upper	1
17	10113011	过线圈 (内)	Thread guide ring	2
18	10113010	过线圈 (外)	Thread guide ring	2
19	13831019	线架杆上节	Spool rest rod upper	1
20	13831021	线架杆接头	Spool rest rod joint	1
21	13831020	线架杆下节	Spool rest rod lower	1
22	10122106	橡胶垫圈	Spool rest rod rubber ring	2
23	W01052	垫圈M16	Washer M16	2
24	N02008	螺母M16	Spool rest rod nut M16	1
25	S04051	螺栓M5 L=31.5	screw M5 L=31.5	1
26	N01034	螺母M5	Nut M5	2
27	W03002	弹簧垫圈 5	Spring washer 5	2
28	13831023	下线架过线杆	Spool rest arm lower	1
29	13831024	线盘	Spool rest	2
30	20131010	线盘垫	Spool rest cushion	2
31	20131006	线盘钉	Spool pin	2
32	13831025	线团防松垫	Spool retainer	2

杰克科技股份有限公司

杰克缝纫机

全球销量遥遥领先

公司地址(Address of Company) :

中国浙江省台州市椒江区三甲东海大道东段1008号

NO.1008 , DONGHAI AVENUE EAST, JIAOJIANG DISTRICT,TAIZHOU CITY, ZHEJIANG

邮编(Zip Code): 318000

国内销售部(Domestic Trade Department):

电话(TEL): 0086-0576-88177788 88177789

传真(FAX): 0086-0576-88177758

国贸销售部(International Trade Department):

电话(TEL): 0086-0576-88177782 88177774

传真(FAX): 0086-0576-88177787

服务热线: 400-8876858

<http://www.chinajack.com>

资料如有更改, 恕不另行通知, 以实物为准。

You will be not informed if the file has been revised.Please set sample as standard.

日期: 2022.5.25



请您扫下杰克服务号